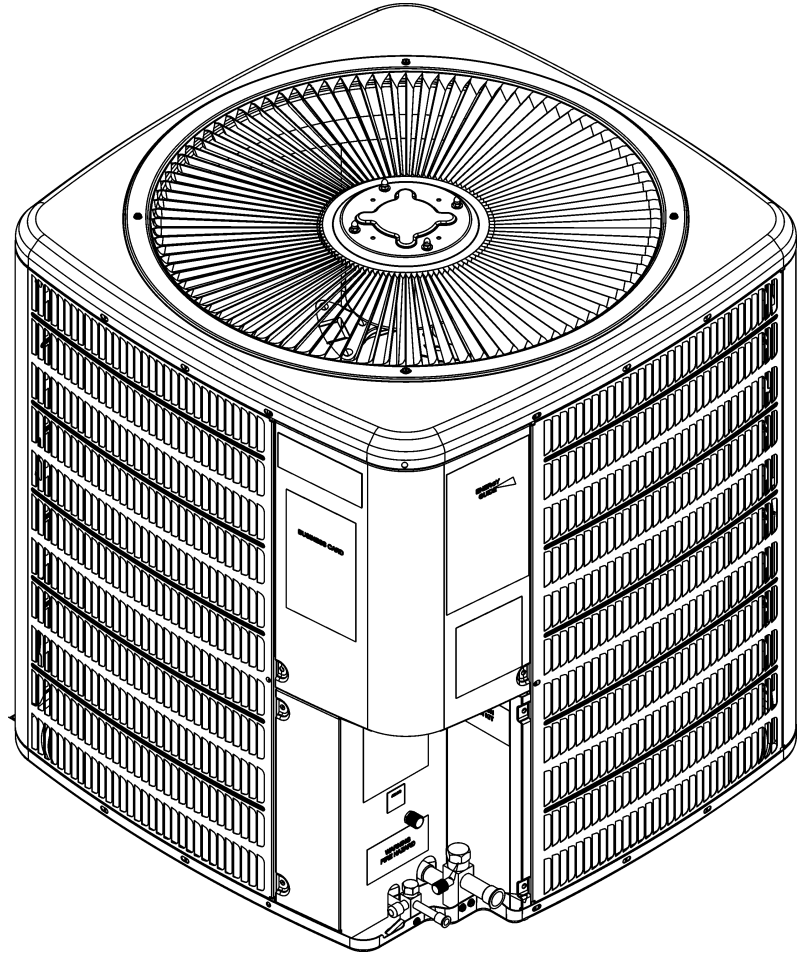


DZ13SN Remote Heat Pump

DZ13SN0181AA
DZ13SN0181AB
DZ13SN0241AA
DZ13SN0241AB
DZ13SN0301AA
DZ13SN0301AB
DZ13SN0361AA
DZ13SN0361AB
DZ13SN0421AA
DZ13SN0421AB
DZ13SN0481AA
DZ13SN0481AB
DZ13SN0601AA



This manual is to be used by qualified technicians only.

This manual replaces RP-D4009B.

© 2014-2015 **DAIKIN MANUFACTURING COMPANY, L.P.** ♦ 5151 San Felipe St., Suite 500 ♦ Houston, TX 77056

Important Information

Index

Functional Parts List	3
Illustration and Parts	4 - 9

Views shown are for parts illustrations only, not servicing procedures

Text Codes:

AR - As Required

NA - Not Available

NS - Not Shown

00000000 - See Note

QTY - Quantity Example (QTY 3) (If Quantity not shown, Quantity = 1)

M - Model Example (M1) (If M Code not shown, then part is used on all Models)

Expanded Model Nomenclature:

Example M1 - Model#1 M2 - Model#2 M3 - Model#3

Daikin Manufacturing Company, L.P. is not responsible for personal injury or property damage resulting from improper service. Review all service information before beginning repairs.

Warranty service must be performed by an authorized technician, using authorized factory parts. If service is required after the warranty expires, Daikin Manufacturing Company, L.P. also recommends contacting an authorized technician and using authorized factory parts.

Daikin Manufacturing Company, L.P. reserves the right to discontinue, or change at any time, specifications or designs without notice or without incurring obligations.

For assistance within the U.S.A. contact:

Consumer Affairs Department

Daikin North America, LLC

7401 Security Way

Houston, Texas 77040

855-770-5678-Telephone

713-863-2382-Facsimile

For assistance outside the U.S.A. contact:

International Division

Daikin North America, LLC

7401 Security Way

Houston, Texas 77040

713-861-2500-Telephone

713-863-2382-Facsimile

Functional Parts

Part No: **Description:**

B12825171	3/8" SERVICE VALVE
CAP050300440CS	CAP ,5/30MFD/440V/DUAL RD (M1, M2)
CAP050400440CT	CAPACITOR 5/40/440V/DUAL RD (M3, M4, M5, M6)
CAP050450440CT	CAPACITOR 5/45/440V/DUAL RD (M7, M8, M9, M10, M11, M12)
CAP050700440CT	CAPACITOR 5/70/440V/DUAL RD (M13)
ZP16K5EPFV130	COMPRESSOR 15500, 208/230/60/1 (M1, M2)
ZP21K5EPFV130	COMPRESSOR 21300, 208/230/60/1 (M3, M4)
ZP25K5EPFV130	COMPRESSOR 25200, 208/230/60/1 (M5, M6)
ZP31K5EPFV130	COMPRESSOR 31100, 208/230/60/1 (M7, M8)
ZP34K5EPFV130	COMPRESSOR 34500, 208/230/60/1 (M9, M10)
ZP39K5EPFV130	COMPRESSOR 39000, 208/230/60/1 (M11, M12)
ZP51K5EPFV130	COMPRESSOR 51000, 208/230/60/1 (M13)
0131M00018P	COND MOTOR 1/4 HP, 1 SP, 6 PL (M7, M8, M9, M10, M11, M12)
0131M00061	COND MOTOR 1/4 HP, 1 SP, 8 PL (M13)
0131M00266	COND MOTOR 1/8 HP, 8 PL, PSC (M1, M2, M5, M6)
0131M00294	COND MOTOR, 1/8HP, ISP, 6P (M3, M4)
CONT1P025024V	CONTACTOR 25 AMP, 1P, 24V (M1, M2, M3, M4, M5, M6, M7, M8, M9, M10)
CONT1P030024V	CONTACTOR 30 AMP, 1P, 24V (M11, M12, M13)
0130M00105	CONTROL, DEFROST (M1, M2, M5, M6, M9, M10, M11, M12, M13)
0130M00098	CONTROL, DEFROST (M3, M4, M7, M8)
0130M00089	CUT-OUT SWITCH, HIGH PRESSURE
0130M00088	CUT-OUT SWITCH, LOW PRESSURE
PCBDM133	DEFROST CONTROL BOARD
0150M00018	FAN BLADE 20" (M1, M2)
0150M00012	FAN BLADE 20" CCW (M5, M6)
B1086750	FAN BLADE 22", 3 BLADE, 24° (M11, M12)
0150M00013	FAN BLADE 26" CCW (M13)
0150M00033	FAN BLADE, 20", 3 BLADE, 24DEG (M3, M4)
0150M00022	FAN BLADE, 22" (M7, M8, M9, M10)
0163R00006	HEATER, CRANKCASE 230V, 40W (M1, M2, M3, M4, M5, M6, M7, M8)
0163R00007	HEATER, CRANKCASE 230V, 40W (M9, M10, M11, M12, M13)
0151R00071	REVERSING VALVE (M10)
0151R00067	REVERSING VALVE (M4)
0151R00068	REVERSING VALVE (M2, M6)
0151R00070	REVERSING VALVE (M12)
0151M00018	REVERSING VALVE (M1, M5)
0151M00019	REVERSING VALVE (M7)
0151M00020	REVERSING VALVE (M9, M11, M13)
B1227314	REVERSING VALVE (M3)
0151R00069	REVERSING VALVE (M8)
B1225022	SOLENOID COIL
0151R00032	VALVE, BASE 3/4" OPEN LEFT (M1, M2, M3, M4, M5, M6, M7, M8)
0151R00033	VALVE, SERVICE 7/8" OPEN LEFT (M9, M10, M11, M12, M13)

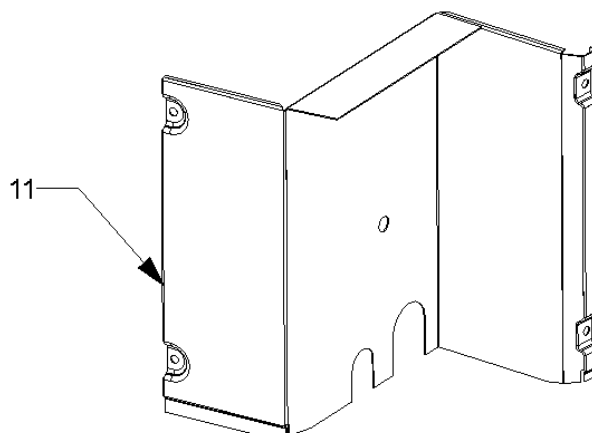
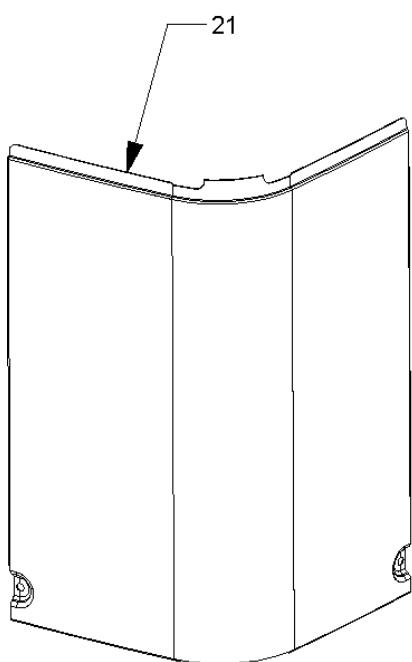
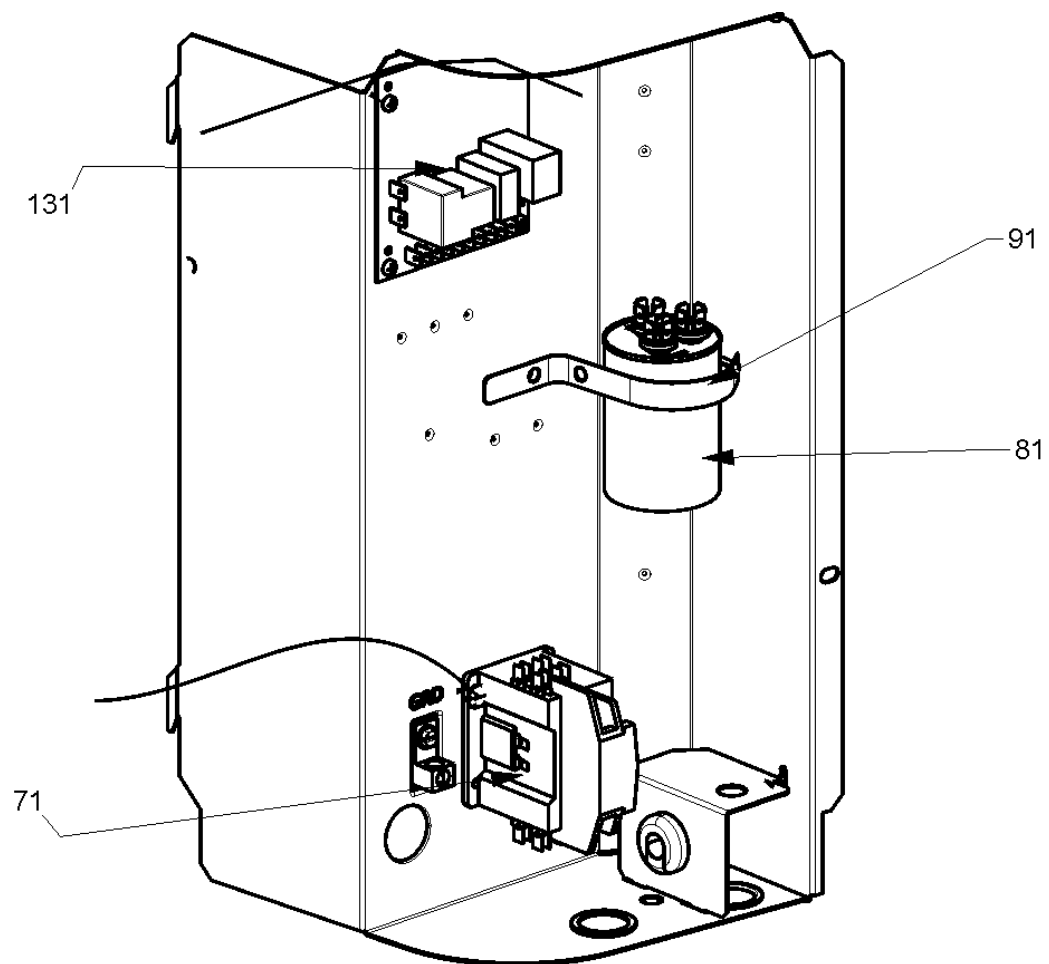
SPECIAL PARTS

0161R00036 NAMEPLATE, DAIKIN

Expanded Model Nomenclature

M1 - DZ13SN0181AA
M2 - DZ13SN0181AB
M3 - DZ13SN0241AA
M4 - DZ13SN0241AB
M5 - DZ13SN0301AA
M6 - DZ13SN0301AB
M7 - DZ13SN0361AA
M8 - DZ13SN0361AB
M9 - DZ13SN0421AA
M10 - DZ13SN0421AB
M11 - DZ13SN0481AA
M12 - DZ13SN0481AB
M13 - DZ13SN0601AA

Control Box Assy



Control Box Assy

Ref. Part No: No:	Description:	Ref. Part No: No:	Description:
-------------------	--------------	-------------------	--------------

Image 1:

11	0121R00318PNG	PANEL, LOWER ACCESS PNT (M9, M10)
11	0121R00321PNG	PANEL, LOWER ACCESS PNT (M11, M12, M13)
11	0121R00323PNG	PANEL, LOWER ACCESS PNT (M1, M2, M3, M4, M5, M6, M7, M8)
21	0121R00053PNG	CONTROL COVER, SMALL PNT
71	CONT1P025024V	CONTACTOR 25 AMP, 1P, 24V (M1, M2, M3, M4, M5, M6, M7, M8, M9, M10)
71	CONT1P030024V	CONTACTOR 30 AMP, 1P, 24V (M11, M12, M13)
81	CAP050300440CS	CAP.5/30MFD/440V/DUAL RD (M1, M2)
81	CAP050400440CT	CAPACITOR 5/40/440V/DUAL RD (M3, M4, M5, M6)
81	CAP050450440CT	CAPACITOR 5/45/440V/DUAL RD (M7, M8, M9, M10, M11, M12)
81	CAP050700440CT	CAPACITOR 5/70/440V/DUAL RD (M13)
91	4400065	CAPACITOR STRAP
131	PCBDM133	DEFROST CONTROL BOARD
NS	0161R00036	NAMEPLATE, DAIKIN

Expanded Model Nomenclature

M1 - DZ13SN0181AA
M2 - DZ13SN0181AB
M3 - DZ13SN0241AA
M4 - DZ13SN0241AB
M5 - DZ13SN0301AA
M6 - DZ13SN0301AB
M7 - DZ13SN0361AA
M8 - DZ13SN0361AB
M9 - DZ13SN0421AA
M10 - DZ13SN0421AB
M11 - DZ13SN0481AA
M12 - DZ13SN0481AB
M13 - DZ13SN0601AA

Compressor / Tubing Assembly / Condenser

IMAGE 1

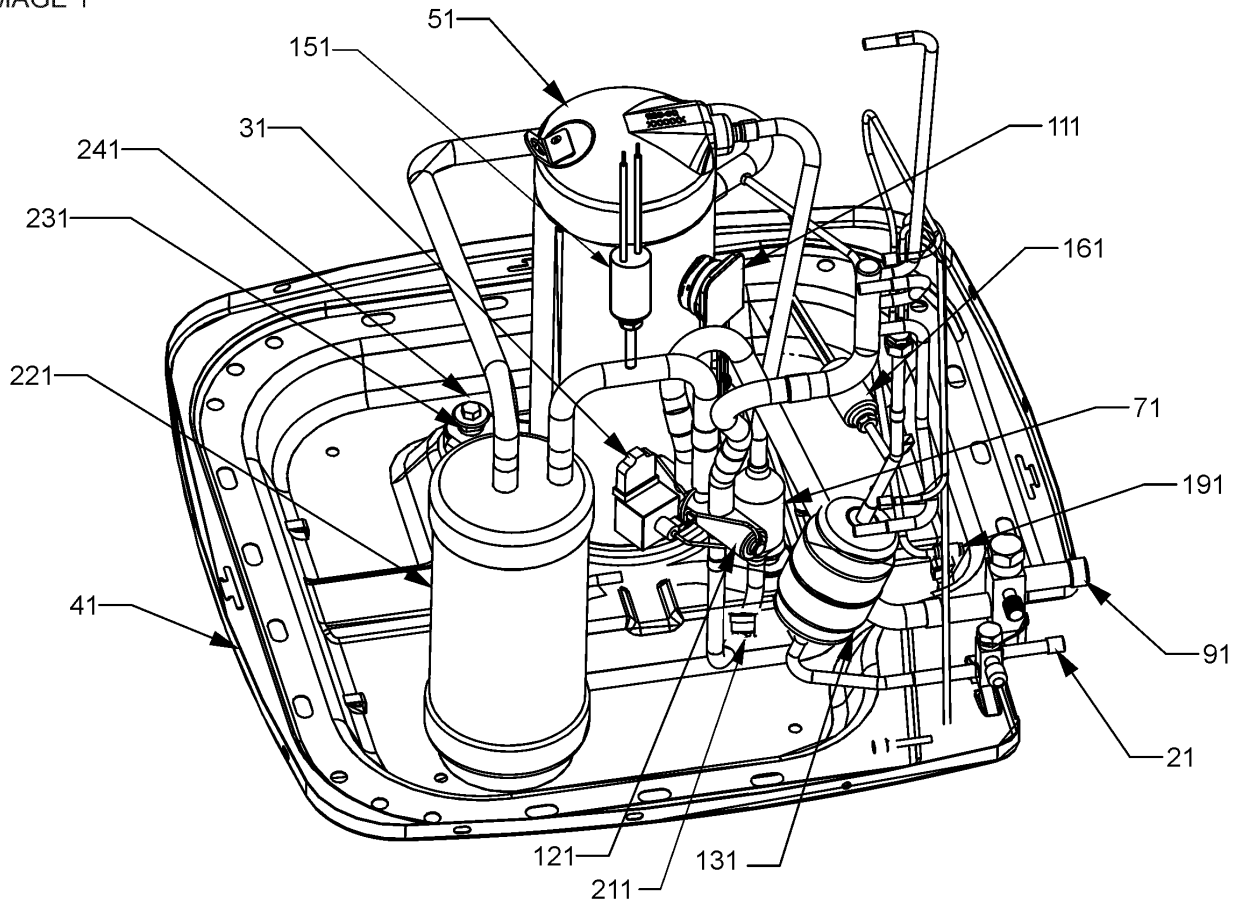
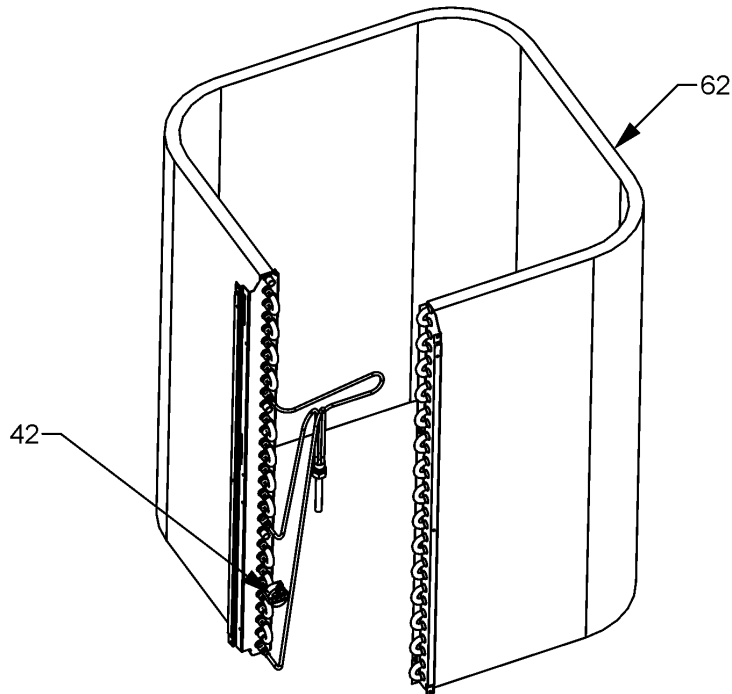


IMAGE 2



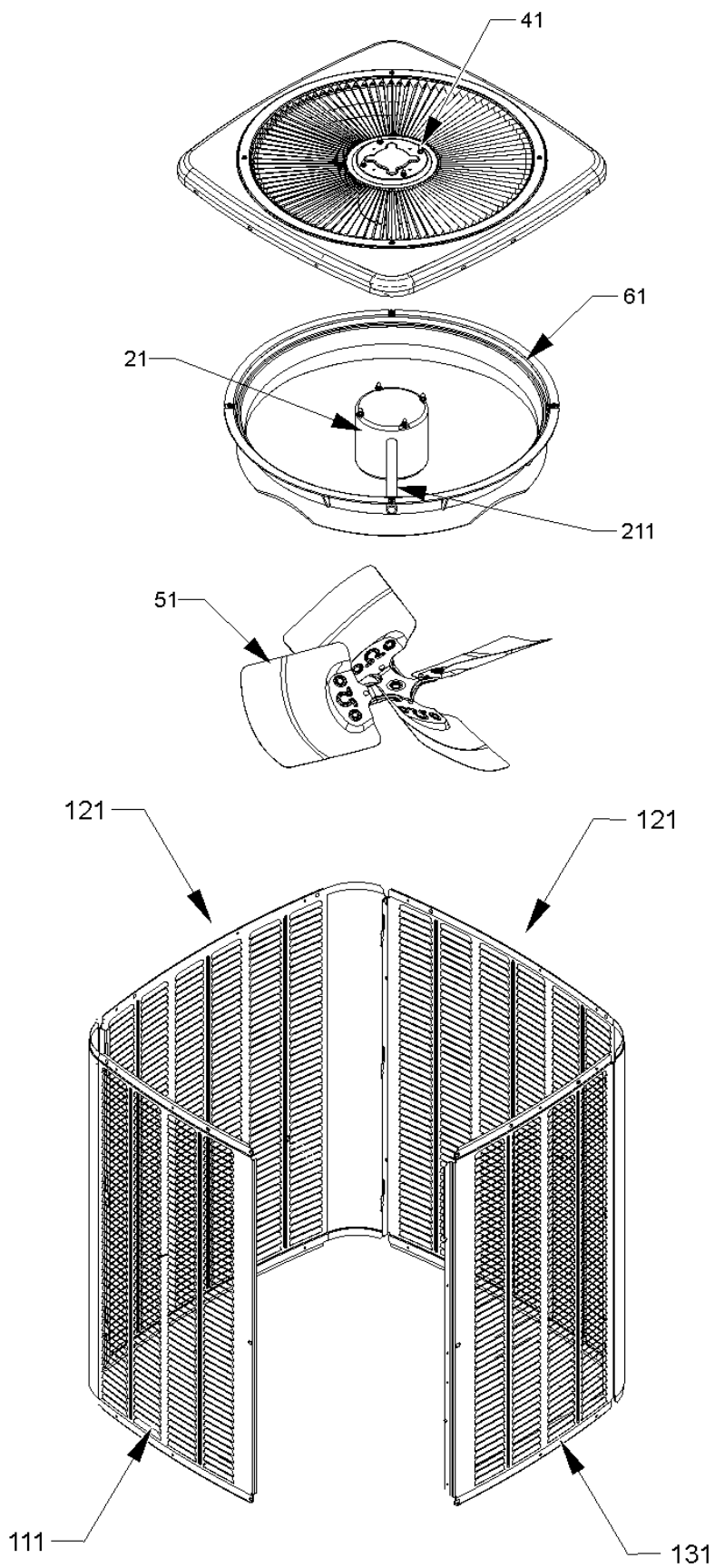
Compressor / Tubing Assembly / Condenser

Ref. Part No: No:	Description:	Ref. Part No: No:	Description:
Image 1:		Image 2:	
21	B12825171	3/8" SERVICE VALVE	62 0201R00155S TUBING ASSY, COND COIL (M13)
31	B1225020	SOLENOID COIL CORD W/1/4" TERMINAL (M1, M3, M5, M7, M9)	62 0201R00285 TUBING ASSY, COND COIL (M7, M8)
31	0130M00083	SOLENOID HARNESS W/1/4" TERM (M2, M4, M6, M8, M10, M11, M12, M13)	62 0201R00317 TUBING ASSY, COND COIL (M3, M4)
41	0121R00005PNG	BASE PAN 26" (M1, M2, M3, M4, M5, M6)	62 0201R00325 TUBING ASSY, COND COIL (M5, M6)
41	0121R00006PNG	BASE PAN 29" (M7, M8, M9, M10, M11, M12)	NS B1789872 FLOW CHECK PISTON KIT (M9, M10)
41	0121R00007PNG	BASE PAN 35" (M13)	NS B1789851 FLOW CHECK PISTON KIT .051 (M1, M2)
51	ZP16K5EPFV130	COMPRESSOR 15500, 208/230/60/1 (M1, M2)	NS B1789857 FLOW CHECK PISTON KIT .057 (M3, M4)
51	ZP21K5EPFV130	COMPRESSOR 21300, 208/230/60/1 (M3, M4)	NS B1789865 FLOW CHECK PISTON KIT .065 (M5, M6)
51	ZP25K5EPFV130	COMPRESSOR 25200, 208/230/60/1 (M5, M6)	NS B1789871 FLOW CHECK PISTON KIT .071 (M7, M8)
51	ZP31K5EPFV130	COMPRESSOR 31100, 208/230/60/1 (M7, M8)	NS B1789878 FLOW CHECK PISTON KIT .078 (M11, M12)
51	ZP34K5EPFV130	COMPRESSOR 34500, 208/230/60/1 (M9, M10)	NS B1789888 FLOW CHECK PISTON KIT .088 (M13)
51	ZP39K5EPFV130	COMPRESSOR 39000, 208/230/60/1 (M11, M12)	
51	ZP51K5EPFV130	COMPRESSOR 51000, 208/230/60/1 (M13)	
71	B1219301	MUFFLER 1/2 X 1/2	
91	0151R00032	VALVE, BASE 3/4" OPEN LEFT (M1, M2, M3, M4, M5, M6, M7, M8)	
91	0151R00033	VALVE, SERVICE 7/8" OPEN LEFT (M9, M10, M11, M12, M13)	
111	0159R00000P	COMPRESSOR SCROLL HARNESS (M1, M2, M3, M4, M5, M6)	
111	0159R00001P	COMPRESSOR SCROLL HARNESS (M7, M8, M9, M10, M11, M12)	
111	0159R00002P	COMPRESSOR SCROLL HARNESS (M13)	
121	0151M00018	REVERSING VALVE (M1, M5)	
121	0151M00019	REVERSING VALVE (M7)	
121	0151M00020	REVERSING VALVE (M9, M11, M13)	
121	0151R00067	REVERSING VALVE (M4)	
121	0151R00068	REVERSING VALVE (M2, M6)	
121	0151R00069	REVERSING VALVE (M8)	
121	0151R00070	REVERSING VALVE (M12)	
121	0151R00071	REVERSING VALVE (M10)	
121	B1227314	REVERSING VALVE (M3)	
131	20485201	BI-FLOW FILTER DRIER	
151	0130M00088	CUT-OUT SWITCH, LOW PRESSURE	
161	0130M00089	CUT-OUT SWITCH, HIGH PRESSURE	
191	B1787000	VALVE CORE	
211	0130M00106	DISC THERMOSTAT CRNKCS HTR SW	
221	B1226206	ACCUMULATOR (M1, M2, M3, M4, M5, M6)	
221	0151R00004P	ACCUMULATOR .750 (M7, M8)	
221	B1226207	ACCUMULATOR .875 (M9, M10, M11, M12, M13)	
231	B1339533	COMPRESSOR GROMMET (QTY 4)	
241	M0221641	TF SHOULDER SCREW (QTY 4)	
NS	20270812	COMPENSATOR (M7, M8)	
NS	20270815	COMPENSATOR (M3, M4)	
NS	0163R00006	HEATER, CRANKCASE 230V, 40W (M1, M2, M3, M4, M5, M6, M7, M8)	
NS	0163R00007	HEATER, CRANKCASE 230V, 40W (M9, M10, M11, M12, M13)	
NS	B1225022	SOLENOID COIL	
Image 2:			
42	0130M00098	CONTROL, DEFROST (M3, M4, M7, M8)	
42	0130M00105	CONTROL, DEFROST (M1, M2, M5, M6, M9, M10, M11, M12, M13)	
62	0201R00150S	TUBING ASSY, COND COIL (M1, M2)	
62	0201R00152S	TUBING ASSY, COND COIL (M9, M10)	
62	0201R00154S	TUBING ASSY, COND COIL (M11, M12)	

Expanded Model Nomenclature

M1 - DZ13SN0181AA
M2 - DZ13SN0181AB
M3 - DZ13SN0241AA
M4 - DZ13SN0241AB
M5 - DZ13SN0301AA
M6 - DZ13SN0301AB
M7 - DZ13SN0361AA
M8 - DZ13SN0361AB
M9 - DZ13SN0421AA
M10 - DZ13SN0421AB
M11 - DZ13SN0481AA
M12 - DZ13SN0481AB
M13 - DZ13SN0601AA

Cabinet Top & Side Assy



Cabinet Top & Side Assy

Ref. Part No: No:	Description:	Ref. Part No: No:	Description:
Image 1:			
11	0121R00008PNG		TOP PANEL 26" (M1, M2, M3, M4, M5, M6)
11	0121R00010PNG		TOP PANEL 29" (M7, M8, M9, M10, M11, M12)
11	0121R00269PNG		TOP PANEL 35" (M13)
21	0131M00018P		COND MOTOR 1/4 HP, 1 SP, 6 PL (M7, M8, M9, M10, M11, M12)
21	0131M00061		COND MOTOR 1/4 HP, 1 SP, 8 PL (M13)
21	0131M00266		COND MOTOR 1/8 HP, 8 PL, PSC (M1, M2, M5, M6)
21	0131M00294		COND MOTOR, 1/8HP, ISP, 6P (M3, M4)
41	0163M00006P		ACORN NUT 5/16 HEX BLACK (QTY 4)
51	0150M00018		FAN BLADE 20" (M1, M2)
51	0150M00012		FAN BLADE 20" CCW (M5, M6)
51	B1086750		FAN BLADE 22", 3 BLADE, 24° (M11, M12)
51	0150M00013		FAN BLADE 26" CCW (M13)
51	0150M00033		FAN BLADE, 20", 3 BLADE, 24DEG (M3, M4)
51	0150M00022		FAN BLADE, 22" (M7, M8, M9, M10)
61	0161L00000		VENTURI RING 22" (M7, M8, M9, M10, M11, M12)
61	0161R00007P		VENTURI RING 35" (M13)
111	4400457PNGB		PANEL 1, BENT LOUVER (M11, M12)
111	4400458PNGB		PANEL 1, BENT LOUVER (M9, M10)
111	0121R00200PNGB		PANEL 1, BENT LOUVER PNT (M7, M8)
111	0121R00208PNGB		PANEL 1, BENT LOUVER PNT (M3, M4)
111	4400402PNGB		PANEL 1, BENT LOUVER PNT (M1, M2, M5, M6)
111	4400463PNGB		PANEL 1, BENT LOUVER PNT (M13)
121	0121R00199PNGB		Panel 2 bent (M3, M4)
121	0121R00204PNGB		Panel 2 bent (M7, M8)
121	4400465PNGB		Panel 2 bent (M13)
121	4400459PNGB		PANEL 2, BENT LOUVER (M11, M12)
121	4400407PNGB		PANEL 2, BENT LOUVER 26_30.0 (M1, M2, M5, M6)
121	4400460PNGB		PANEL 2, BENT LOUVER 29_36 (M9, M10)
131	0121R00193PNG		LOUVER, SIDE PANEL (M7, M8)
131	0121R00197PNG		LOUVER, SIDE PANEL (M3, M4)
131	4400461PNG		PANEL 3, LOUVER 29_32 HRZ (M11, M12)
131	4400462PNG		PANEL 3, LOUVER 29_36 HRZ (M9, M10)
131	4400412PNG		PANEL 3, LOUVER 26_30 HRZ PNT (M1, M2, M5, M6)
131	4400467PNG		PANEL 3, LOUVER 35_32 HRZ PNT (M13)
211	0161R00001P		CONDUIT (M1, M2, M3, M4, M5, M6)
211	0161R00002P		CONDUIT (M7, M8, M9, M10, M11, M12)
211	0161R00004P		CONDUIT (M13)

Expanded Model Nomenclature

M1 - DZ13SN0181AA
M2 - DZ13SN0181AB
M3 - DZ13SN0241AA
M4 - DZ13SN0241AB
M5 - DZ13SN0301AA
M6 - DZ13SN0301AB
M7 - DZ13SN0361AA
M8 - DZ13SN0361AB
M9 - DZ13SN0421AA
M10 - DZ13SN0421AB
M11 - DZ13SN0481AA
M12 - DZ13SN0481AB
M13 - DZ13SN0601AA